

Solar technology

VITOSOL 200-F

VIESSMANN

climate of innovation



Vitosol 200-F: "Very Good"

In the "Stiftung Warentest" comparison test with 11 other solar thermal systems in March 2008, the Vitosol 200-F was judged to be "Very Good". This powerful flat-plate collector with a highly selectively coated copper absorber is the solution for DHW heating. On average, up to 60% of the energy required annually for DHW heating can be saved.

Easy to handle

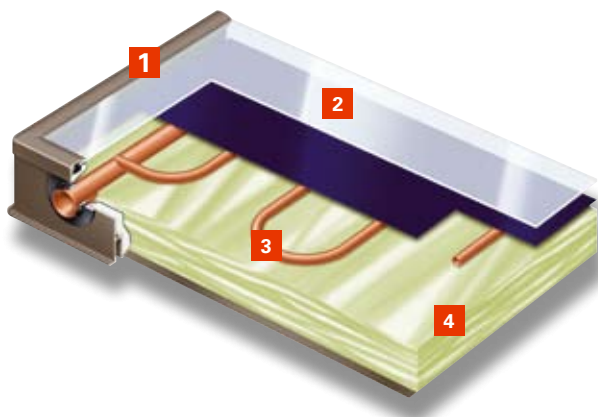
It couldn't be easier to install Vitosol flat-plate collectors. Up to ten collectors can be reliably connected in parallel via flexible corrugated stainless steel plug-in connectors. The easy-to-assemble Viessmann fixing system with load-tested and corrosion-resistant components made from stainless steel and aluminium is standard for all Viessmann collectors. The flat-plate collectors can be used universally for rooftop installation, roof integration and freestanding installation, e.g. on flat roofs. There are options to install the flat-plate collector in vertical or horizontal formats.

Looking good

The collectors will captivate you with their attractive design. The frame is finished in RAL 8019 brown as standard and blends subtly into most roofs. Upon request, the frame is also available in all other RAL colours. Optional edge trims provide an harmonious transition between the collector surface and the roof.

Permanently sealed and well insulated

The all-round folded aluminium frame and seamless pane seal guarantee permanent tightness and a highly stable collector. This reliably prevents the frame freezing-up through standing water in the transitions between frame and glass. The back panel is puncture-proof and corrosion-resistant. Highly effective thermal insulation reduces heat losses particularly in spring, autumn and winter.



Vitosol 200-F

- 1 All-round folded aluminium frame, available in all RAL colours
- 2 Stable, highly transparent cover made from special glass
- 3 Copper meander absorber
- 4 Highly effective thermal insulation



With optional edge trims in all RAL colours, the Vitosol solar collectors blend harmoniously into most roofs.

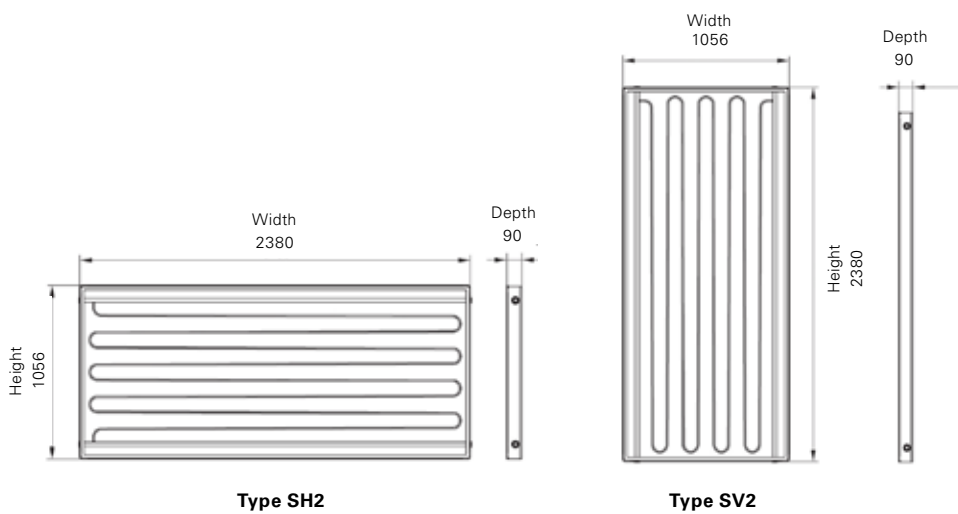
Take advantage of these benefits

- Permanently sealed and highly stable through all-round folded aluminium frame
- Quick and reliable collector connection through flexible corrugated stainless steel pipe plug-in connector
- Universal application for freestanding and rooftop installation as well as roof integration
- Powerful flat-plate collector with a highly selectively coated copper absorber

Viessmann Limited
 Hortonwood 30, Telford
 Shropshire, TF1 7YP
 Tel: 01952 675000
 Fax: 01952 675040
www.viessmann.co.uk

Technical Data Vitosol 200-F

Type		SV2	SH2
Gross area	m ²	2.51	2.51
Absorber area	m ²	2.32	2.32
Aperture area	m ²	2.33	2.33
Dimensions	Width mm	1056	2380
	Height mm	2380	1056
	Depth mm	90	90
Weight	kg	52	52



Your trade partner: