

# Special promotion

Well-known Viessmann quality at a one-time package price

**VISSMANN**

## TectoCell Standard Plus ClassicEdition cold rooms and deep-freezing rooms



### Benefits at a glance:

- 8 optimal sizes in 2 different heights
- 80 or 100 mm wall thickness
- Temperature range from +3°C to +19°C (coldroom) and from -5°C to -25°C (deep-freezing room)
- Fully hygienic stainless steel floor, KR 11 circle pressed (1000 N/Wheel) with floor overlapping
- Equipped as standard with antimicrobial surfaces SmartProtec and hygienic corner radius – germ formation are effectively prevented
- Standard equipment: Light switch with control lamp, thermometer, LED light (door frame), magnetic gasket and pressure release valve. The TectoCell ClassicEdition 100 is additionally equipped with door frame heater, heated pressure release valve and 30 mm underfloor ventilation tiles
- Package price incl. shelving system Rega Almo Norm 20 with 3 solid shelving elements and refrigeration unit with thermostatic control

Heating systems  
Industrial systems  
Refrigeration systems ◀

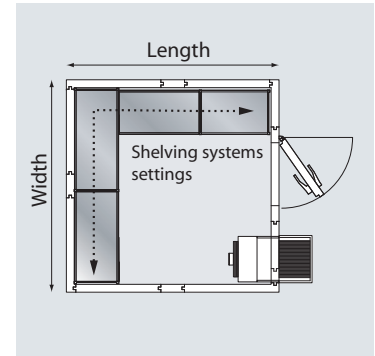
Special promotion

TectoCell Standard Plus ClassicEdition  
Cold rooms and deep-freezing rooms with  
refrigeration unit and shelving system



**TectoCell Standard Plus ClassicEdition cold rooms**  
Wall thickness 80 mm, temperature range +3°C to +19°C

TectoCell Standard Plus ClassicEdition 80 Package		Exterior dimension in mm (W x L)	Exterior height 2110 mm Package price	Exterior height 2410 mm Package price
Package 1	TectoRefrigo WMC1 0500	1500 x 1500		
Package 2	TectoRefrigo WMC1 0900	1800 x 1500		
Package 3	TectoRefrigo WMC1 0900	2100 x 1800		
Package 4	TectoRefrigo WMC1 0900	2100 x 2100		
Package 5	TectoRefrigo WMC1 1300	2400 x 2100		
Package 6	TectoRefrigo WMC1 1300	2400 x 2400		
Package 7	TectoRefrigo WMC1 1300	2700 x 2400		
Package 8	TectoRefrigo WMC1 2000	3000 x 2700		



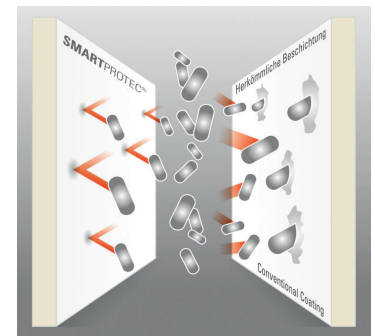
Example for shelving arrangement



Wall hanging unit

**TectoCell Standard Plus ClassicEdition deep-freezing rooms**  
Wall thickness 100 mm, temperature range -5°C to -25°C

TectoCell Standard Plus ClassicEdition 100 Package		Exterior dimension in mm (W x L)	Exterior height 2150 mm Package price	Exterior height 2450 mm Package price
Package 1	TectoRefrigo WMF1 0900	1500 x 1500		
Package 2	TectoRefrigo WMF1 0900	1800 x 1500		
Package 3	TectoRefrigo WMF1 0900	2100 x 1800		
Package 4	TectoRefrigo WMF1 0900	2100 x 2100		
Package 5	TectoRefrigo WMF1 1400	2400 x 2100		
Package 6	TectoRefrigo WMF1 1400	2400 x 2400		
Package 7	TectoRefrigo WMF1 1400	2700 x 2400		
Package 8	TectoRefrigo WMF1 1400	3000 x 2700		



Antimicrobial powder coating SmartProtec®

Cold room height 2410 mm and 2450 mm: Inner door size 800 x 2000 mm (Package 1+2: 600 x 2000 mm).

Cold room height 2110 mm and 2150 mm: Inner door size 800 x 1800 mm (Package 1+2: 600 x 1800 mm).

Door side is always the wide side. The unit is always on the left near the door. Please specify when ordering the door hinges (DIN right or left).

Your Viessmann trade partner



Floor/wall connection

Viessmann Khlsysteme GmbH  
Schleizer Strae 100  
95030 Hof  
Phone +49 92 81 81 40  
Fax +49 92 81 81 42 69  
www.viessmann.de/kuehlsysteme

Content protected by copyright.  
Duplication and alternative use only with permission.  
Subject to change.